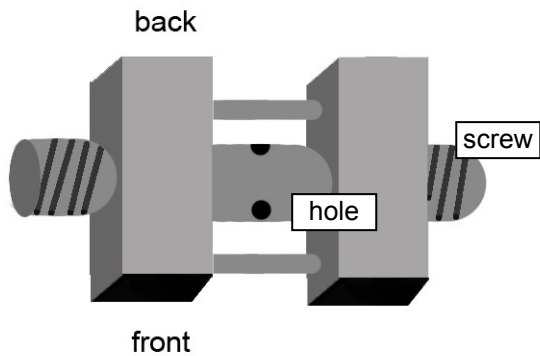
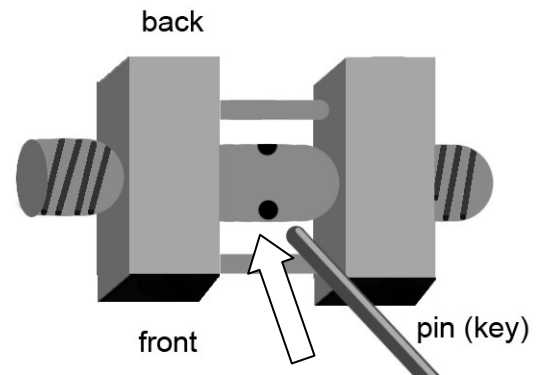


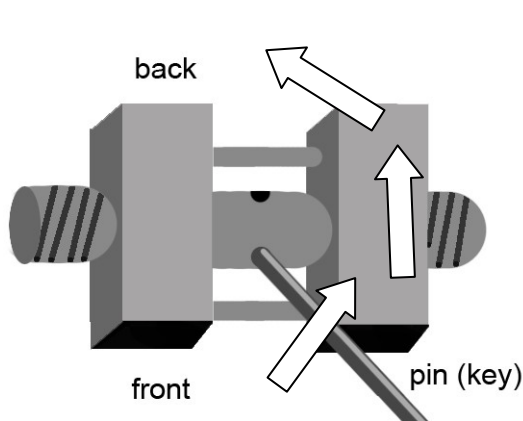
HOW TO EXPAND YOUR EXPANDER- Dr. Beckwith's simple instructions



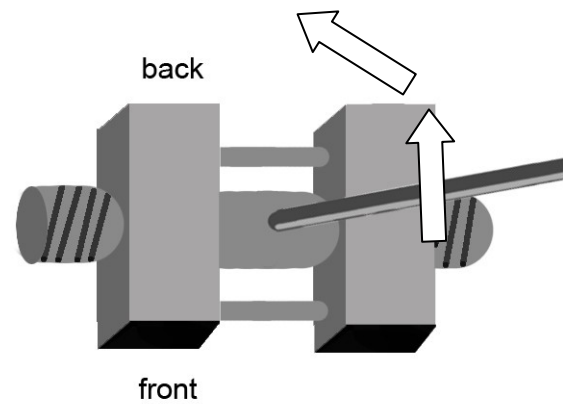
1. The expander has a screw in it. The screw sits sideways in your mouth. The screw has 4 little holes in it. Find the hole that is closest to the front of your mouth.



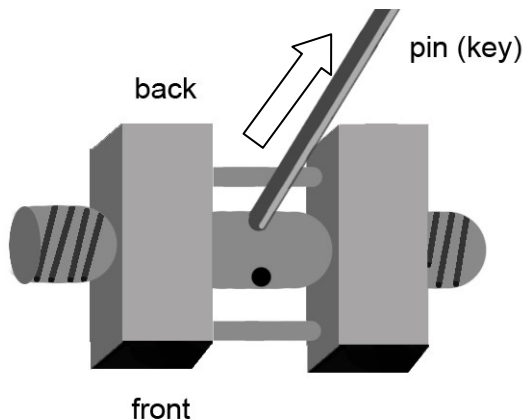
2. We gave you a little wire pin or "key" as it is sometimes called. Put the tip of the wire into the hole toward the front. Make sure it is firmly seated in the hole. If it is properly seated, it will not move much if you wiggle it.



3. Use the key as a lever. You want to turn the screw in the direction front to back. You are not turning the key in the same way you unlock a door. It is more like flipping a switch than turning a key.



4. Keep rotating the screw front to back. Don't get nervous or chicken out. You must make a complete activation or the expander will not do anything.



5. Eventually, you will see the next hole rotate into view in the front. When you can see the entire hole, stop turning. Pull the pin straight out. Don't unwind the screw, you will cancel what you just accomplished.

THAT IS ONE TURN

DO THAT AS OFTEN AND FREQUENTLY AS YOU WERE TOLD.

IF THERE IS A PROBLEM, CALL US